

vaste leuning achterzijde

Uitneembaar dak
Borging op hoeken

Uitneembare leuning voorzijde
Borging d.m.v. borgpennen

2x 90° Klapbare schoprand
Borging d.m.v. verende grendel

Stootrand
Borging d.m.v. borgpennen

UNLESS OTHERWISE SPECIFIED: DIMENSIONS ARE IN MILLIMETERS		FINISH:		DEBURR AND BREAK SHARP EDGES		DO NOT SCALE DRAWING		REVISION	
SURFACE FINISH: NEN 3634						TITLE: Werkbak 3x1,75 m, incl. stootrand			
TOLERANCES: NEN-ISO 1101								DWG NO.	
DESIGN: NEN-EN 13155						MATERIAL: Material <not specified>		wb4ksldA.03.02c	
				AMERICAN PROJECTION		WEIGHT: 904.77 KG		SCALE: 1:50	
								SHEET 1 OF 2	
				HTZ Hijs en heftechniek					

NAME	SIGNATURE	DATE
DRAWN: TB		20-4-2016
APPV'D: MTZ		5-4-2016

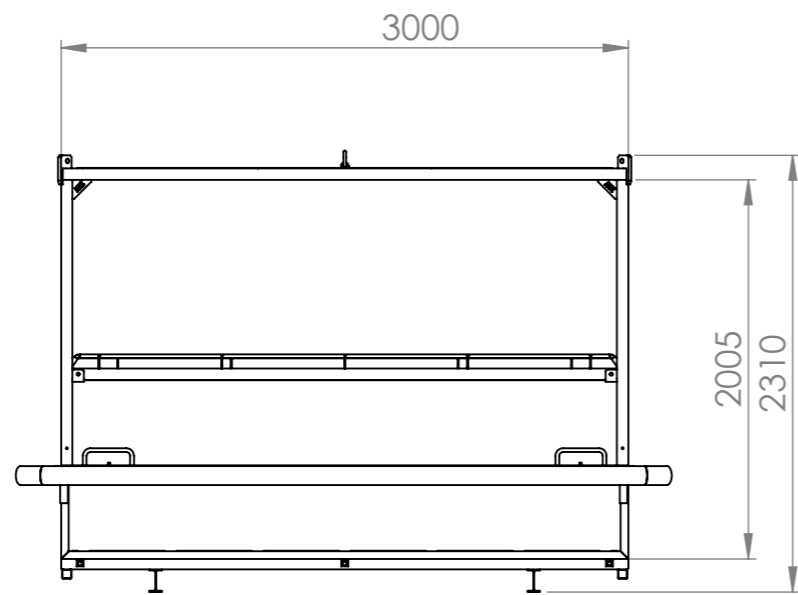
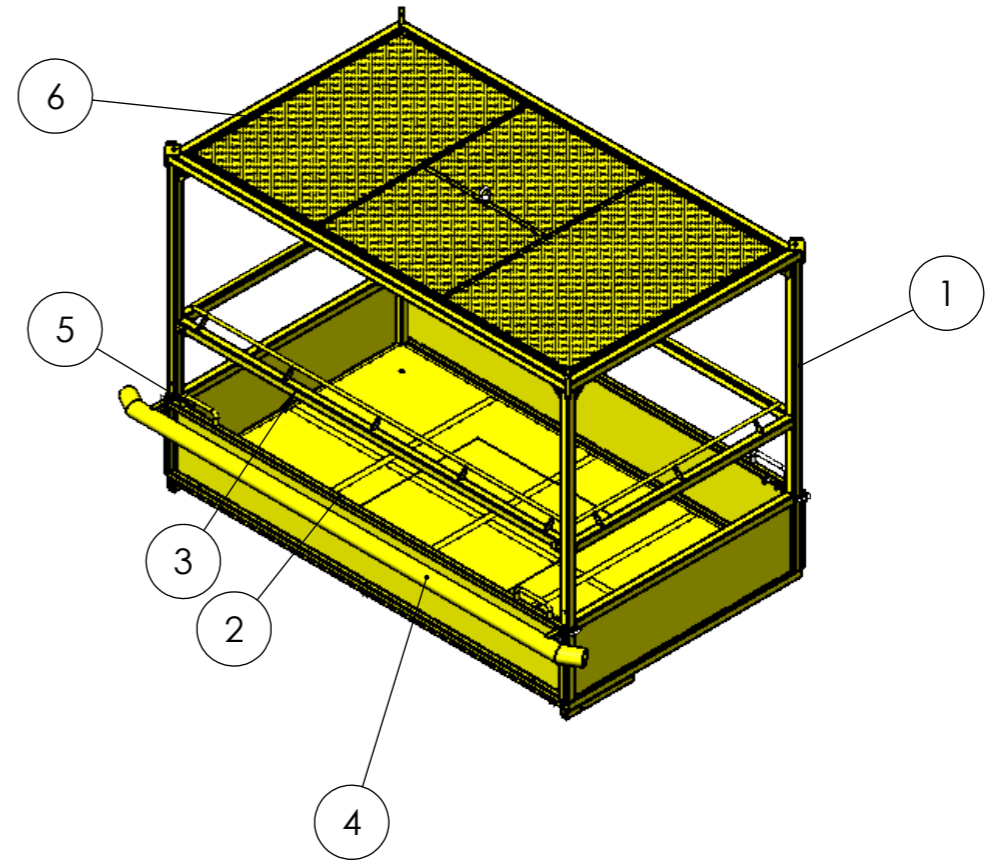
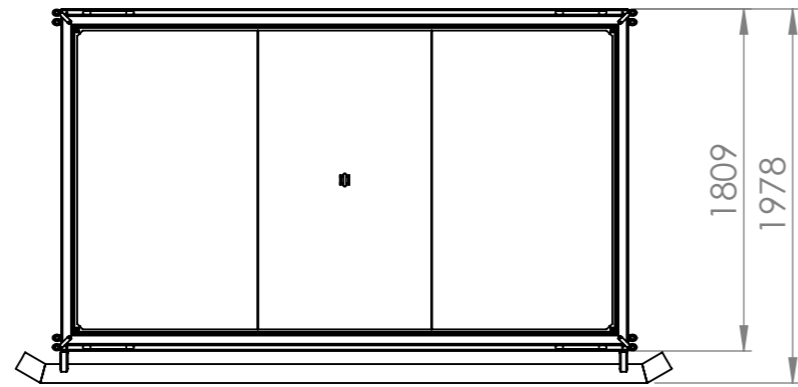
DWG NO. **wb4ksldA.03.02c** A3



WEIGHT: 904.77 KG

SCALE: 1:50

SHEET 1 OF 2



ITEM NO.	PART NUMBER	DESCRIPTION	Default/ QTY.
1	wb4ksld.03.01	Werkbak 3x1,75m hoofddeel	1
2	wb4ksld.02.01	Klapbare schoprand	2
3	wb4ksld.02.03	Uitneembare leuning	1
4	wb4ksld.02.02	Uitneembare bumper	1
5	wb4ksld.02.05	Verende grendel	4
6	wb4ksld.02.04	Uitneembaar dak	1

UNLESS OTHERWISE SPECIFIED: DIMENSIONS ARE IN MILLIMETERS		FINISH:		DEBURR AND BREAK SHARP EDGES		DO NOT SCALE DRAWING		REVISION	
SURFACE FINISH: NEN 3634									
TOLERANCES: NEN-ISO 1101									
DESIGN: NEN-EN 13155									
NAME		SIGNATURE		DATE		AMERICAN PROJECTION		TITLE: Werkbak 3x1,75 m, incl. stootrand	
DRAWN: TB				20-4-2016					
APPV'D: MTZ				5-4-2016				DWG NO. wb4ksldA.03.02c A3	
HTZ Hijs en heftechniek		MATERIAL:		Material <not specified>		WEIGHT: 904.77 KG		SCALE: 1:40	
								SHEET 2 OF 2	